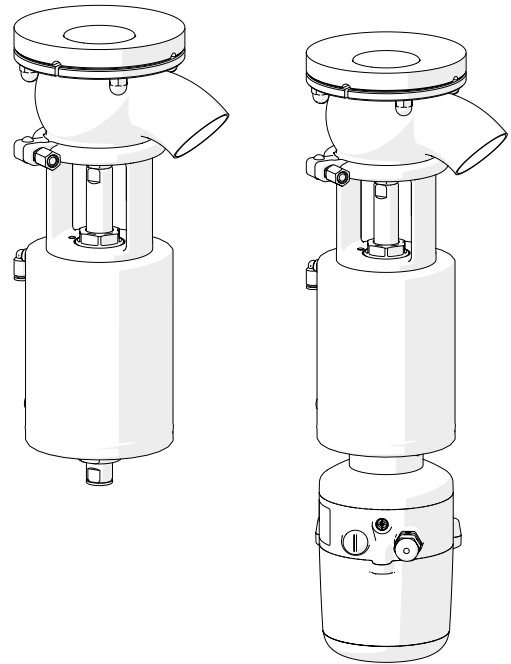


INNOVA F

Tank Bottom Single Seat Valve



APPLICATION

The INNOVA F valve is a shut-off single seat valve designed specifically for installation at the tank bottom for use in hygienic applications.

DESIGN AND FEATURES

- More compact space-saving design.
- 45° elbow outlet to enable welding.
- Opening towards the inside of the valve.
- Radial type seal design.
- Single-acting actuator.
- Normally closed valve.
- Open lantern allows visual inspection of shaft sealing.

TECHNICAL SPECIFICATIONS

Materials

Parts in contact with the product	1.4404 (AISI 316L)
Other stainless steel parts	1.4301 (AISI 304)
Gasket in contact with the product	EPDM

Surface finish

Internal	Bright polish $Ra \leq 0,8 \mu m$
External	Matt

Available sizes

DIN EN 10357 series A <small>(previously DIN 11850 series 2)</small>	DN 25 - DN 100
ASTM A269/270 <small>(corresponds to OD pipe)</small>	OD 1" - OD 4"

Connections

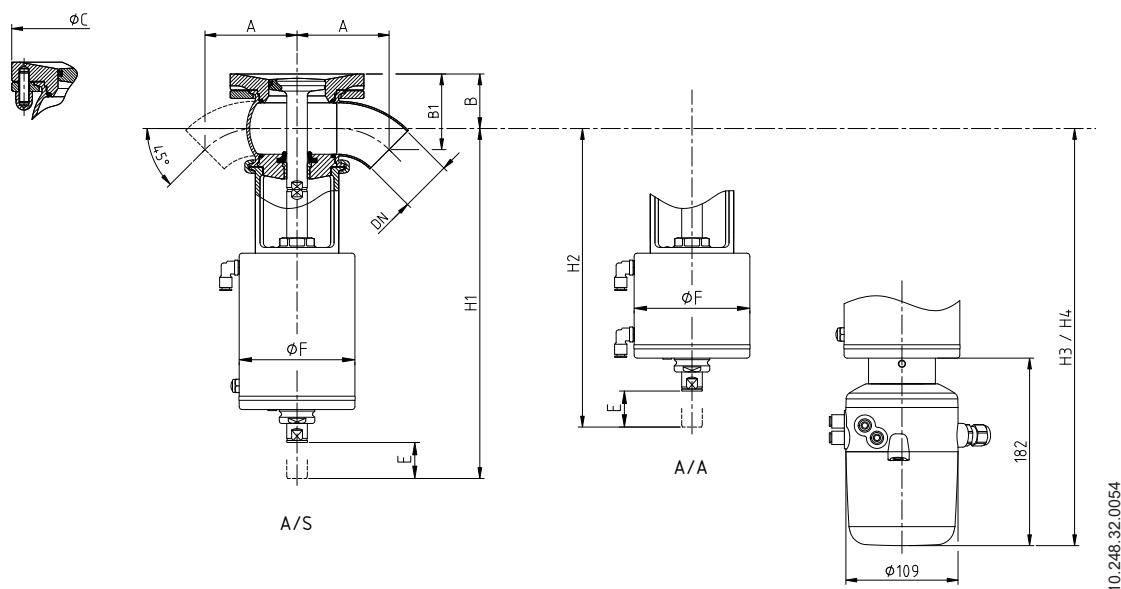
Weld

Operating limits

Temperature range	-10°C to 121°C	14°F to 250°F
Temperature SIP	140°C (max. 30 min)	284°F
Maximum working pressure	1000 kPa (10 bar)	145 PSI
Minimum working pressure	Vacuum	Vacuum
Compressed air pressure	6 - 8 bar	87 - 116 PSI

OPTIONS

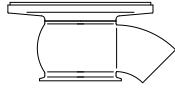
Manual actuator.
 Gaskets: FPM, HNBR.
 Other connection types.
 Control unit.
 External position sensors.
 Surface finish: Ra < 0,5 µm.
 Steam barrier.
 Bodies with heating jacket.

DIMENSIONS

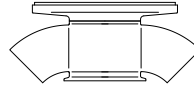
10.248.32.0054

			A	B	B1	ØC	E	ØF	H1	H2	A/S	A/A	kg	kg
DIN	25	29,0 x 1,50	58	39	54	90	25	87	272	242	399	369	4,8	4,1
	40	41,0 x 1,50	75	47	65	110	25	87	281	251	408	378	6,0	5,2
	50	53,0 x 1,50	90	53	74	130	35	113	340	290	457	407	9,5	7,9
	65	70,0 x 2,00	110	63	87	160	35	136	355	305	472	422	14,6	11,9
	80	85,0 x 2,00	122	71	97	180	35	136	362	312	479	429	16,6	13,9
OD	100	104 x 2,00	141	83	112	210	35	166	384	334	501	451	24,3	20,1
	1"	25,4 x 1,65	51	37	48	90	25	87	270	240	397	367	4,8	4,1
	1½"	38,1 x 1,65	74	46	63	110	25	87	280	250	407	377	5,9	5,2
	2"	50,8 x 1,65	94	52	75	130	35	113	339	289	456	406	9,4	7,9
	2½"	63,5 x 1,65	122	60	88	160	35	136	352	302	469	419	14,5	11,8
	3"	76,2 x 1,65	140	67	100	180	35	136	358	308	475	425	16,5	13,7
	4"	101,6 x 2,11	178	81	126	210	35	136	383	333	500	450	24,5	20,3

HOUSING COMBINATIONS



L



T

10.248.32.0029